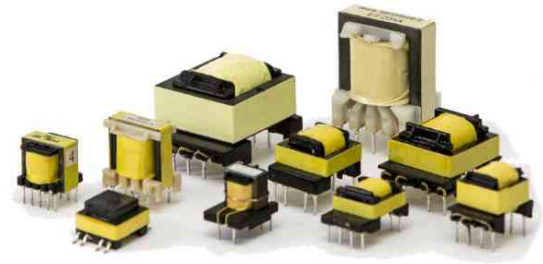


Flyback transformers size table

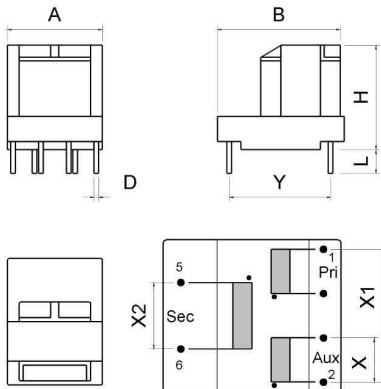
- Preferential size table for flyback and similar low power custom transformers
- Suitable for converters based on any flyback controller
- High creepage/clearance for reinforced insulation to meet your safety requirements



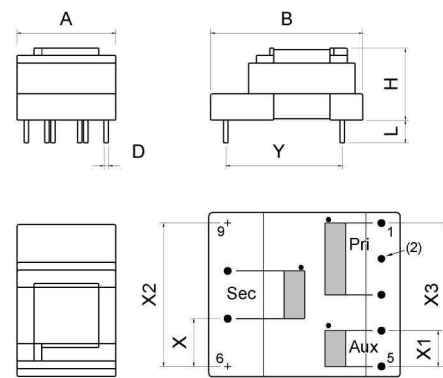
Flyback size table 0 - 14W

Layout	Power ¹	Dimensions (mm)										Creepage Clearance
		A max	B max	H max	X typ	X1 typ	X2 typ	X3 typ	Y typ	L min	D typ	
Drawing E10A	0-2W	12,5	16,3	13,6	3,0	9,0	5,0	--	12,2	2,5	∅ 0,5	>7mm
Drawing E12A	2-6W	14,2	20,6	10,3	3,5	2,72	10,5	10,88	15,35	2,5	∅ 0,6	>6mm
Drawing E13A	4-8W	14,8	19,3	14,7	3,8	11,4	--	--	12,5	3,5	∅ 0,5	>6mm
Drawing E16A	7-15W	17,3	19,3	14,2	3,2	12,8	--	--	15,5	2,8	∅ 0,7	>6mm

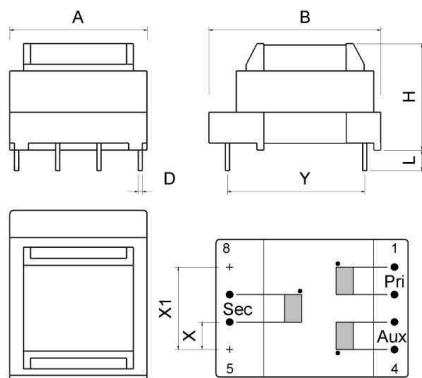
Drawing E10A



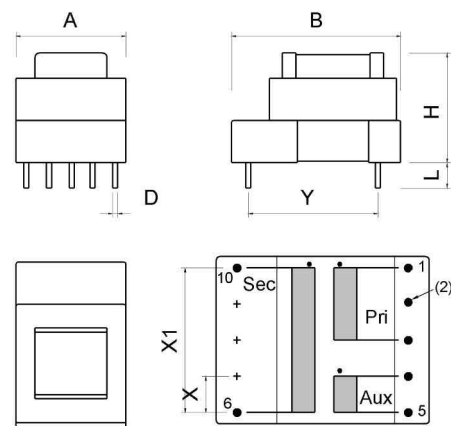
Drawing E12A



Drawing E13A



Drawing E16A

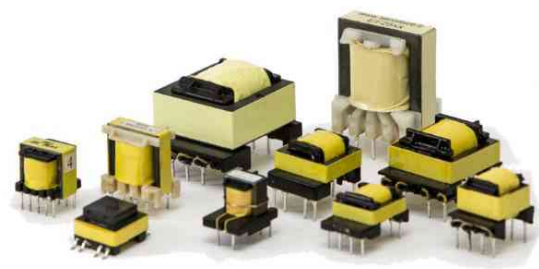


Pin layout bottom view

¹ For reference only; Power range refers to offline flyback converters; the actual max power depends on the design details and features.
The power can be 20% or more higher in low input voltage or functional insulation flyback converters, 100% higher in push-pull converters.

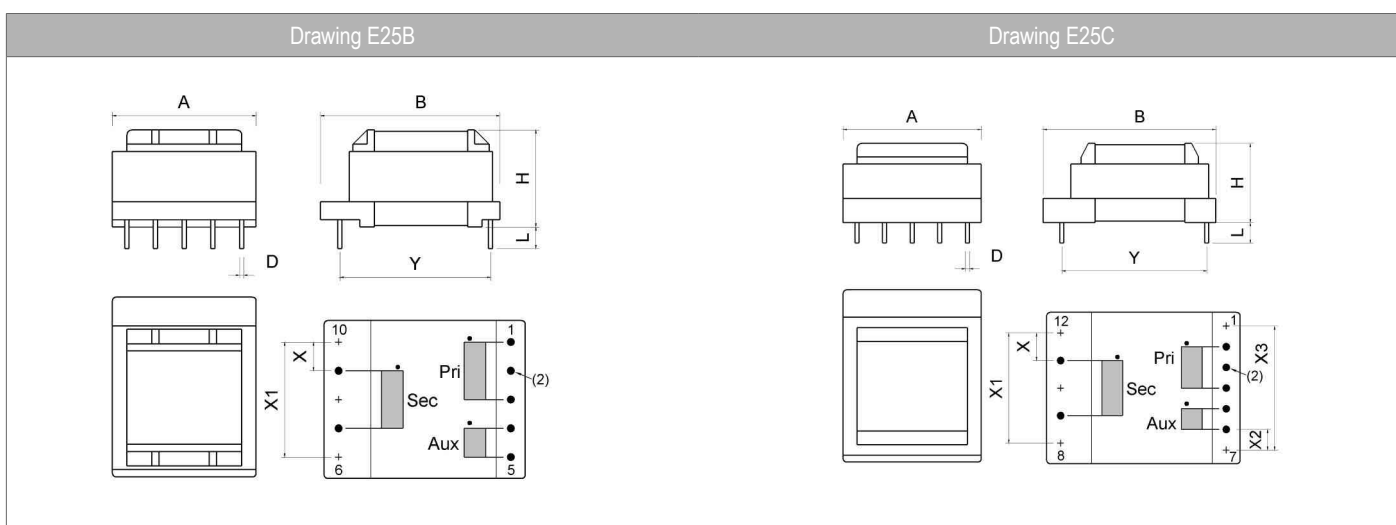
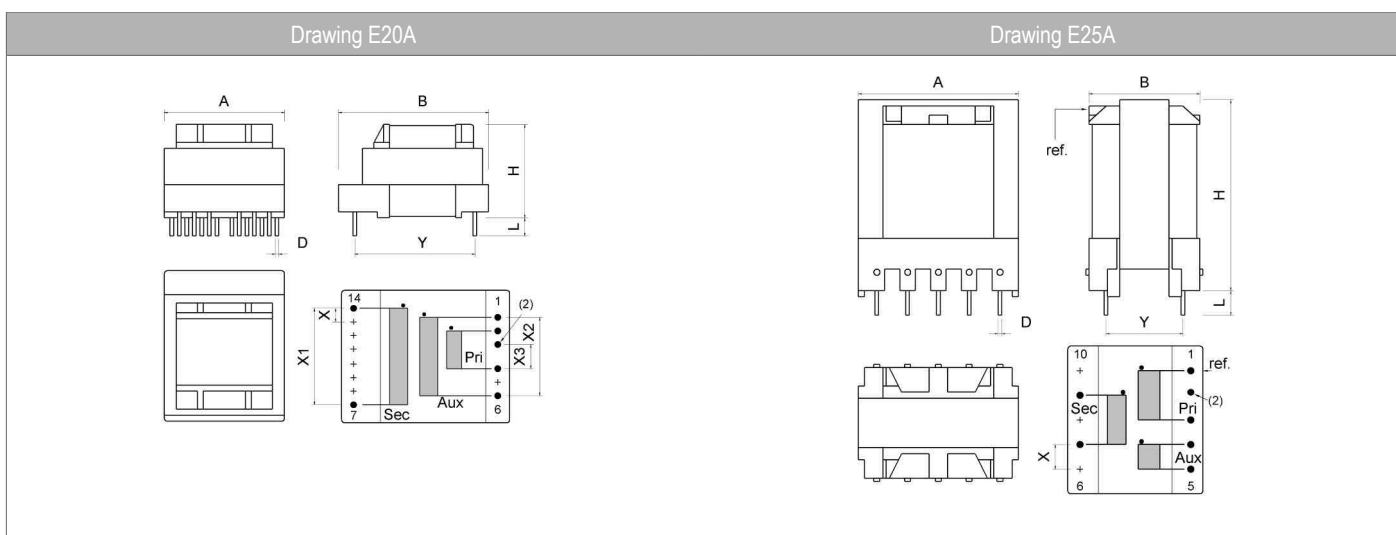
² Not to be connected.

- Preferential size table for flyback and similar low power custom transformers
- Suitable for converters based on any flyback controller
- High creepage/clearance for reinforced insulation to meet your safety requirements



Flyback size table 10 - 40W

Layout	Power ¹	Dimensions (mm)										Creepage Clearance
		A max	B max	H max	X typ	X1 typ	X2 typ	X3 typ	Y typ	L min	D typ	
Drawing E20A	15-25W	21,7	25,6	16,6	2,5	17,5	15,0	5,0	20,0	2,5	□ 0,50	>6mm
Drawing E25A	20-45W	26,7	19,4	31,7	5,0	20,0	0,0	0,0	12,5	3,5	□ 0,64	>6mm
Drawing E25B	40-70W	26,9	33,2	21,7	5,0	20,0	0,0	0,0	26,8	3,0	□ 0,64	>7mm
Drawing E25C	20-45W	28,4	33,7	20,4	5,0	20,0	3,5	21,0	25,4	3,5	∅ 0,80	>7mm



Pin layout bottom view

¹ For reference only; Power range refers to offline flyback converters; the actual max power depends on the design details and features.
The power can be 20% or more higher in low input voltage or functional insulation flyback converters, 100% higher in push-pull converters.

² Not to be connected.