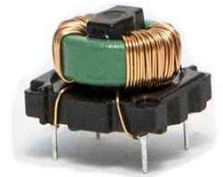
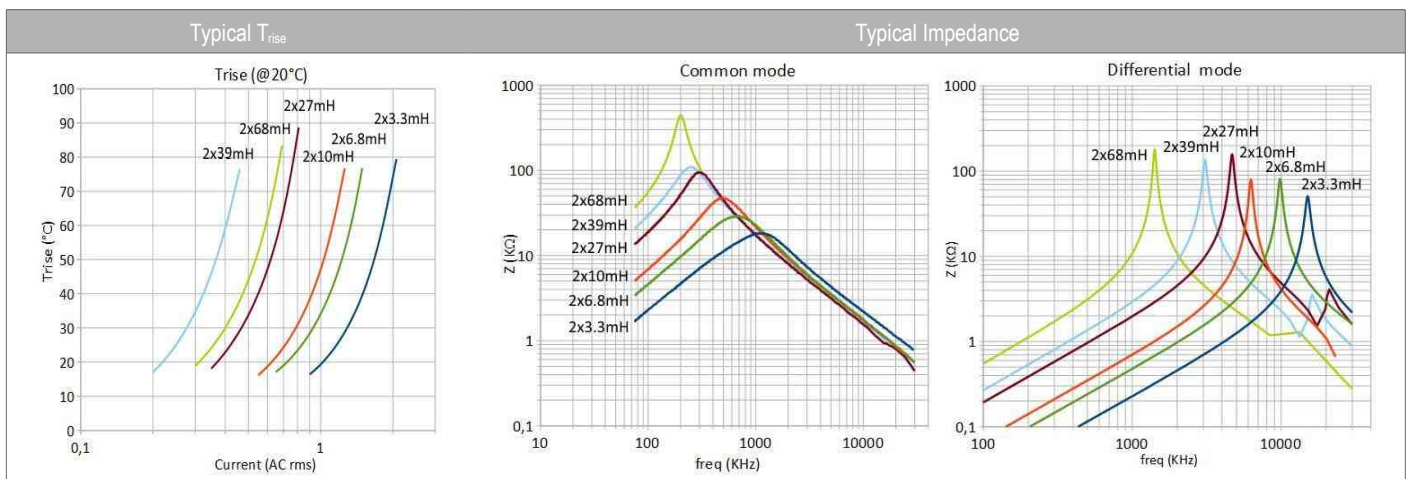
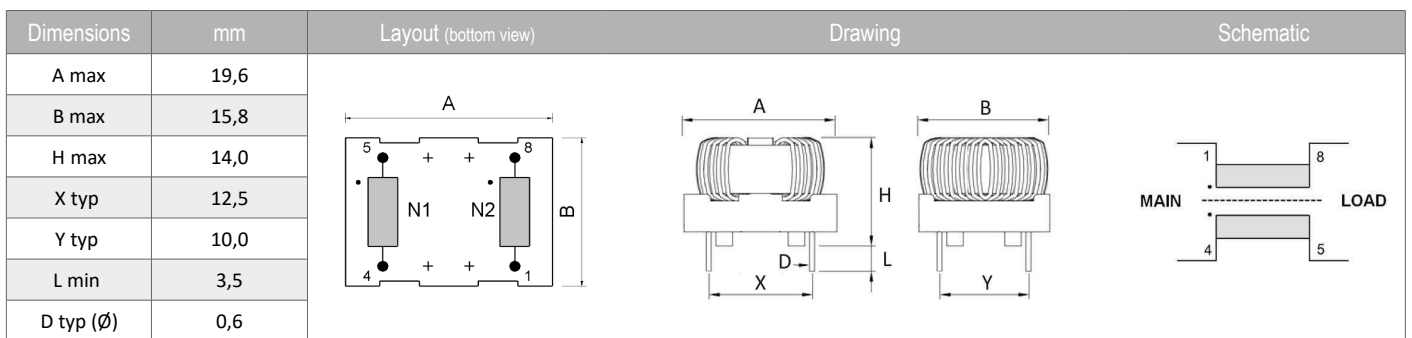


- Common mode chokes for EMI/EMC main line and data line filters
- Excellent common mode interference suppression
- Good differential mode filtering against symmetrical interferences
- High insulation between windings
- Excellent performances/dimensions ratio
- Others values on request



Code	Nominal Inductance ¹	Stray Inductance typ	Nominal Current ²	Typical DCR ³	Main Rated Voltage	N1/N2 Dielectric strength
SCT1409332	2x3.3 mH	37 μ H	1.82 A	110 m Ω	250V	1.5KV
SCT1409682	2x6.8 mH	79 μ H	1.33 A	210 m Ω	250V	1.5KV
SCT1409103	2x10 mH	110 μ H	1.12 A	350 m Ω	250V	1.5KV
SCT1409153	2x15 mH	164 μ H	0.90 A	490 m Ω	250V	1.5KV
SCT1409273	2x27 mH	310 μ H	0.68 A	810 m Ω	250V	1.5KV
SCT1409393	2x39 mH	415 μ H	0.59 A	1200 m Ω	250V	1.5KV
SCT1409473	2x47 mH	515 μ H	0.50 A	1730 m Ω	250V	1.5KV
SCT1409683	2x68 mH	670 μ H	0.40 A	2500 m Ω	250V	1.5KV



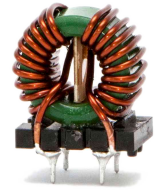
¹ Tolerances -30%/+50% - Measured @1KHz-250mV.

² Max continuous current for 60°C nominal temperature rise. The temperature of the inductor should not exceed 120°C.

³ Referred to each winding (@20°C).

SCT2213 series - 2x1mH/12A ... 2x22mH/2.3A

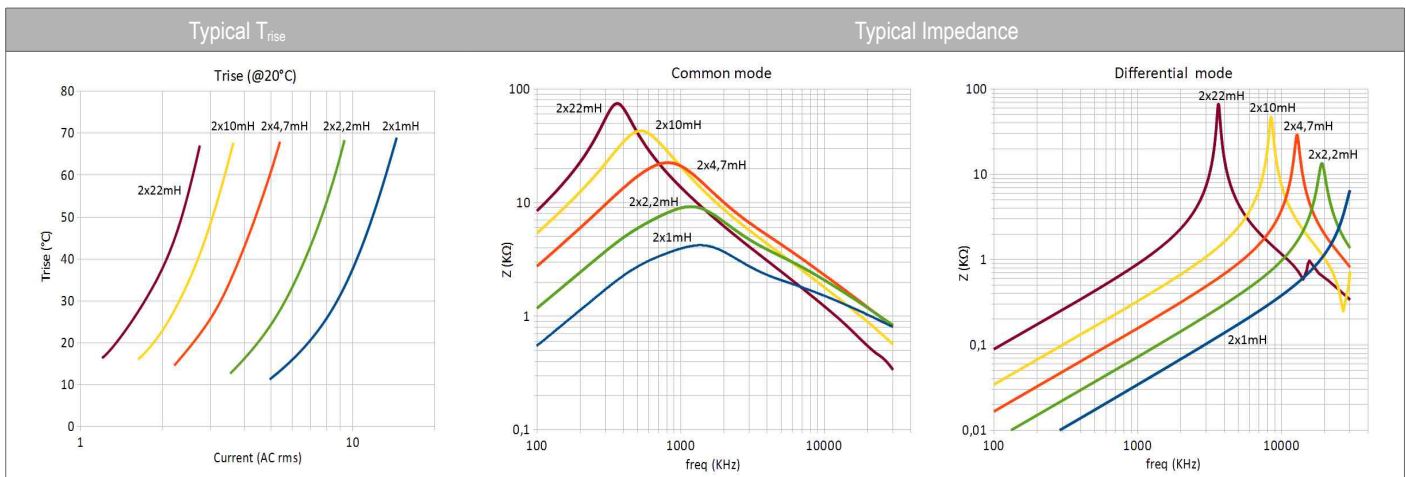
- Common mode chokes for EMI/EMC main line and data line filters
- Excellent common mode interference suppression
- Good differential mode filtering against symmetrical interferences
- High insulation between windings
- Excellent performances/dimensions ratio
- Others values on request



Code	Nominal Inductance ¹	Stray Inductance typ	Nominal Current ²	Typical DCR ³	Main Rated Voltage	N1/N2 Dielectric strength
SCT2213102	2x1.0 mH	6 μ H	12.0 A	6.1 m Ω	250V	1.5KV
SCT2213222	2x2.2 mH	12 μ H	7.7 A	15.5 m Ω	250V	1.5KV
SCT2213472	2x4.7 mH	26 μ H	4.5 A	26.4 m Ω	250V	1.5KV
SCT2213103*	2x10 mH	70 μ H	3.0 A	87.0 m Ω	250V	1.5KV
SCT2213223*	2x22 mH	160 μ H	2.3 A	135 m Ω	250V	1.5KV

* Preferential

Dimensions	mm	Layout (bottom view)	Drawing	Schematic
A max	27,4			
B max	18,7			
H max	30,9			
X typ	10,0			
Y typ	12,0			
L min	3,5			
D typ (\varnothing)	1,0			



¹ Tolerances -30%/+50% - Measured @10KHz-100mV.

² Max continuous current for 50°C nominal temperature rise. The temperature of the inductor should not exceed 120°C.

³ Referred to each winding (@20°C).